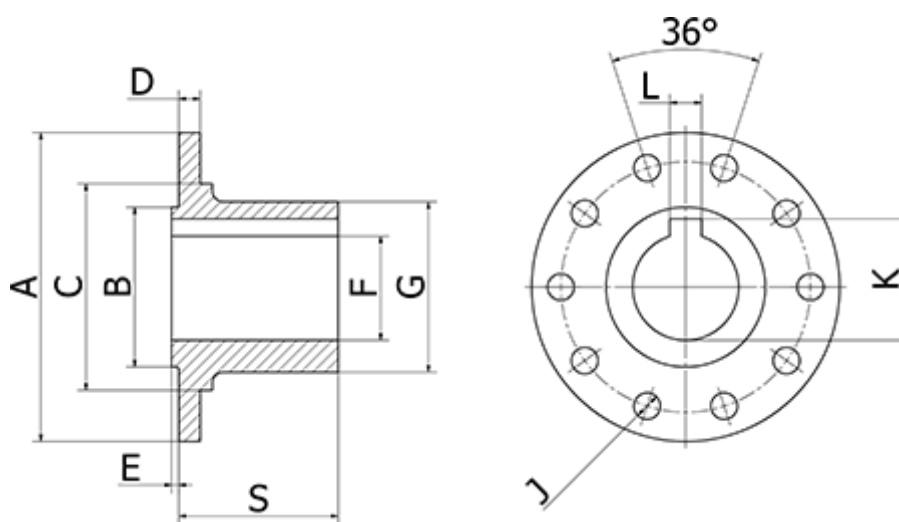


Article number: 071122240

Description: Elbe Modflange 1.122.240
Ø180 Hole size 80H7

Measures



A = 180	J	= 16
B = 110	K	= 85.4
C = 131	L	= 22
D = 14	Number of flange holes	= 10
E = 2.8	S	= 125
F = 80H7		
G = 118		
H = 155.5		